
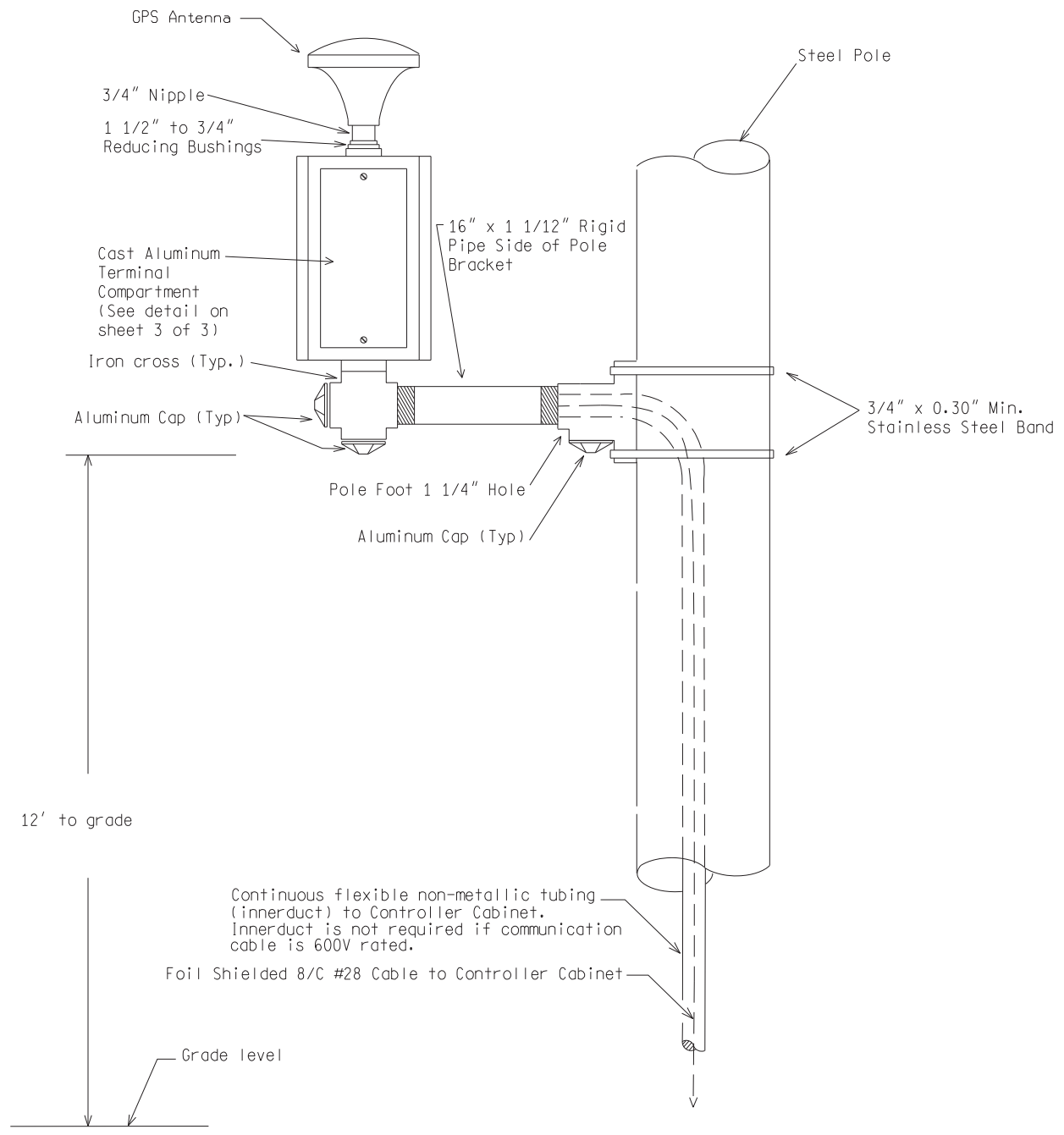


Note: For projects maintained by the Wayne Co. Department of Public Services (WCDPS), use rigid metal for conduit(s) from grade level to 10' (min.) above grade or as directed by the Engineer.

GLOBAL POSITIONING SYSTEM (GPS) MODULE MOUNTED ON WOOD/CONCRETE POLE

NOT TO SCALE File: RefDoc/TR/Signals/Web/Sp Det/Fin/SIG120A.dgn Rev: 02/16/17

 PREPARED BY TRAFFIC AND SAFETY	_____ ENGINEER OF DELIVERY	MICHIGAN DEPARTMENT OF TRANSPORTATION BUREAU OF HIGHWAYS DELIVERY STANDARD PLAN FOR GLOBAL POSITIONING SYSTEM (GPS) MODULE	
	_____ ENGINEER OF DEVELOPMENT (SPECIAL DETAIL) FHWA APPROVAL DATE	_____ PLAN DATE	SIG-120-A



GLOBAL POSITIONING SYSTEM (GPS) MODULE MOUNTED ON STEEL POLE

NOT TO SCALE

MICHIGAN DEPARTMENT OF TRANSPORTATION
BUREAU OF HIGHWAYS DELIVERY STANDARD PLAN

FHWA APPROVAL DATE

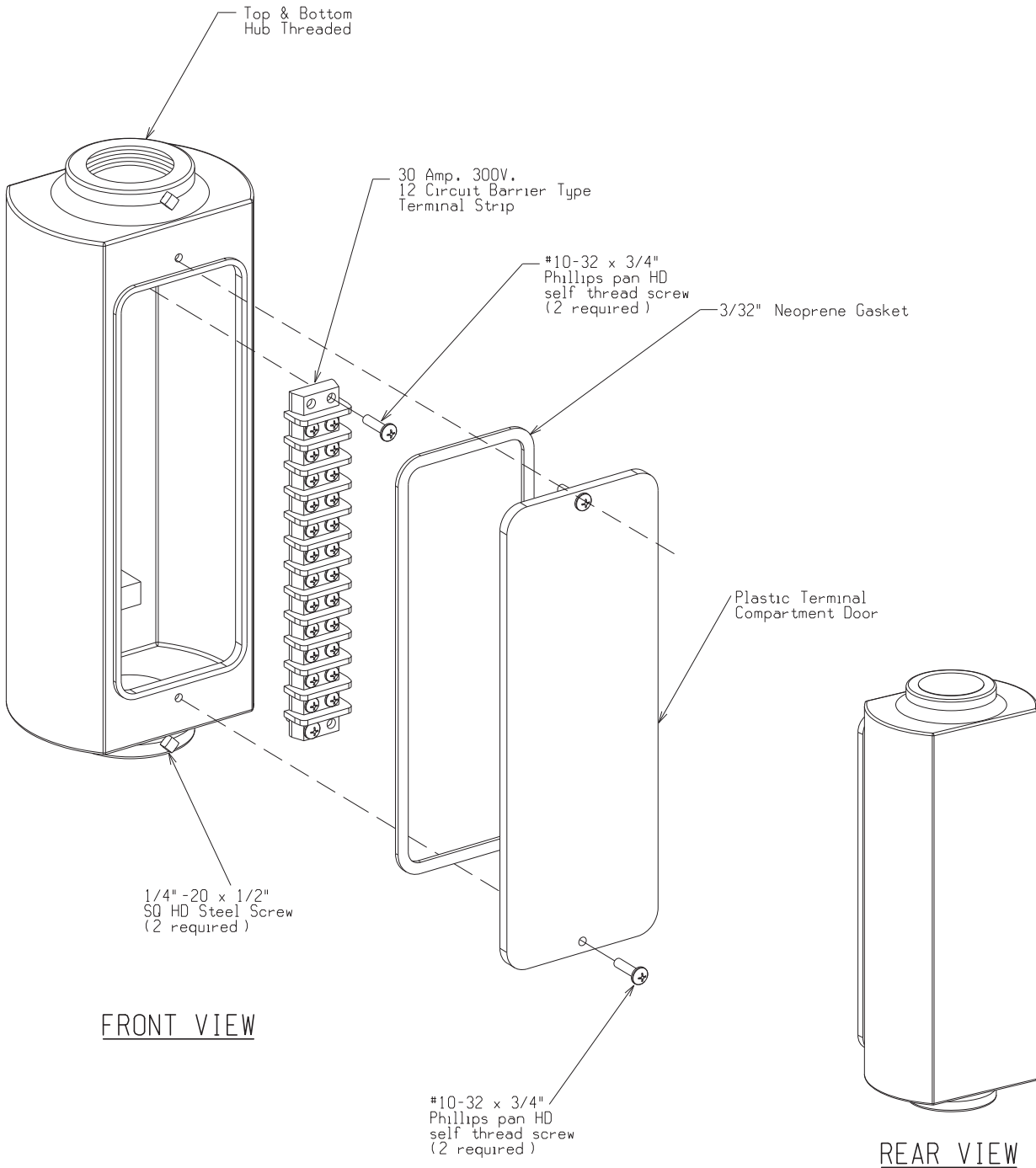
PLAN DATE

SIG-120-A

SHEET
2 of 3

File: RefDoc/TR/Signals/Web/Sp Det/Fin/SIG120A.dgn

Rev. 02/16/17



CAST ALUMINUM COMPARTMENT DETAIL

NOTE: All hardware is stainless steel

NOT TO SCALE

MICHIGAN DEPARTMENT OF TRANSPORTATION
BUREAU OF HIGHWAYS DELIVERY STANDARD PLAN

FHWA APPROVAL DATE

PLAN DATE

SIG-120-A

SHEET
3 of 3